

DH-IPC-HFW1239DTP-4G-IL

2MP Entry Dual Illumination Fixed-focal 4G Bullet Network Camera



- 2-MP 1/2.8" CMOS image sensor, low luminance, and high definition image.
- Outputs max. 2 MP (1920 × 1080)@25/30 fps.
- H.265 codec, high compression rate, ultra-low bit rate.
- Built-in warm light and IR LED, the max. IR light distance is 30 m and max. warm light distance is 30 m.
- Rotation mode, DWDR, 3D NR, HLC, BLC, digital watermarking, applicable to various monitoring scenes.
- ROI, SMART H.264+/H.265+, flexible coding, applicable to various bandwidth and storage environments.
- Supports max. 256 G Micro SD card; built in Mic and speaker.
- 12 VDC power supply.
- IP67 protection.
- Supports 4G.

Series Overview

With features of simple installation, easy operation, and high performance-cost ratio, Dahua Entry series network camera is applicable to small and medium-sized scenes, such as homes/residences, small-sized retail stores, and other small and medium-sized enterprises.

Functions

Smart H.265+ & Smart H.264+

With advanced scene-adaptive rate control algorithm, Dahua smart encoding technology realizes the higher encoding efficiency than H.265 and H.264, provides high-quality video, and reduces the cost of storage and transmission.

Motion Detection

When moving objects appear in the monitoring image, Dahua Motion Detection technology triggers alarm or records.

WDR

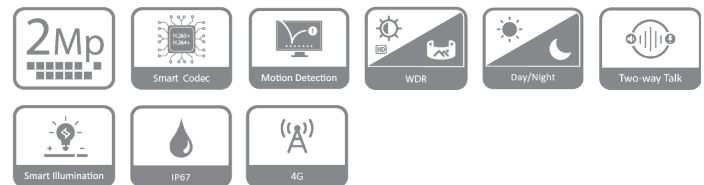
With advanced Wide Dynamic Range (WDR) technology, Dahua network camera provides clear details in the environment of strong brightness contrast. The bright and dark area can get clear video even in high brightness environment or with backlight shadow.

Day/Night

Dahua Day/Night function provides color image when illumination is adequate; when illumination is inadequate, it switches night mode and provides white and black image. It can guarantee that the network camera can work normally when illumination changes.

Two-way Talk

With its built-in high-sensitivity microphone and high-power speaker, the camera realizes two-way talk through the mobile app.



Smart Illumination

Dahua Smart Illumination technology can display image in the environment of low illumination or completely dark environment. According to the distance of the targets, the camera adjusts illuminations intensity automatically to display the details of the moving target.

Cyber Security

Dahua network cameras employ a series of security technologies, including security authentication and authorization, access control protocols, trusted protection, encrypted transmission and encrypted storage. These technologies improve the camera's defense against external cyber threats and prevent malicious programs from compromising the device.

4G

With a built-in high-performance 4G mobile network module, the camera can be directly registered to cloud platforms after a 4G SIM card has been inserted into it. It can be installed anywhere without the hassle of network cables. Users can perform real-time monitoring and remote control of the camera from a mobile client through 4G network.

Technical Specification

Camera

Image Sensor	1/2.8" CMOS
Max. Resolution	1920 (H) × 1080 (V)
ROM	128 MB
RAM	128 MB
Scanning System	Progressive
Electronic Shutter Speed	Auto/Manual 1/3 s–1/100,000 s
Min. Illumination	0.005 lux@F1.6(Color,30 IRE) 0.0005 lux@F1.6(B/W,30 IRE) 0 lux (Illuminator on)
S/N Ratio	> 56 dB
Illumination Distance	Up to 30 m (98.43 ft) (IR) Up to 30 m (98.43 ft) (Warm light)
Illuminator On/Off Control	Auto; Manual
Illuminator Number	2 (IR LED); 2 (Warm light)
Pan/Tilt/Rotation Range	Pan: 0°–360° Tilt: 0°–78° Rotation: 0°–360°

Lens

Lens Type	Fixed-focal				
Lens Mount	M12				
Focal Length	2.8 mm; 3.6 mm				
Max. Aperture	F1.6				
Field of View	2.8 mm: H: 108°; V: 58°; D: 127° 3.6 mm: H: 82°; V: 42°; D: 99°				
Iris Control	Fixed				
Close Focus Distance	2.8 mm: 0.7 m (2.30 ft) 3.6 mm: 1.3m (4.27 ft)				
DORI Distance	Lens	Detect	Observe	Recognize	Identify
	2.8 mm	44.2 m (140.01 ft)	16.9 m (55.45 ft)	8.4 m (27.56 ft)	4.2 m (13.78 ft)
	3.6 mm	59.6 m (195.54 ft)	23.8 m (78.09 ft)	11.9 m (39.04 ft)	6.0 m (19.69 ft)

Video

Video Compression	H.265; H.264; H.264B; MJPEG (Only supported by the sub stream)
Smart Codec	Smart H.265+; Smart H.264+
Video Frame Rate	Main stream: 1920 × 1080@(1–25/30 fps) Sub stream: 704 × 576@(1–25 fps)/704 × 480@(1–30 fps) *The values above are the max. frame rates of each stream; for multiple streams, the values will be subjected to the total encoding capacity.
Stream Capability	2 streams
Resolution	1080p (1920 × 1080); 1.3M (1280 × 960); 720p (1280 × 720); D1 (704 × 576/704 × 480); VGA (640 × 480); CIF (352 × 288/352 × 240)
Bit Rate Control	CBR/VBR

Video Bit Rate	H.264: 32 kbps–6144 kbps H.265: 12 kbps–6144 kbps
Day/Night	Auto(ICR)/Color/B/W
BLC	Yes
HLC	Yes
WDR	DWDR
White Balance	Auto; natural; street lamp; outdoor; manual; regional custom
Gain Control	Auto; Manual
Noise Reduction	3D NR
Motion Detection	OFF/ON (4 areas, rectangular)
Region of Interest (Rol)	Yes (4 areas)
Smart Illumination	Yes
Image Rotation	0°/90°/180°/270° (Support 90°/270° with 1080p resolution and lower)
Mirror	Yes
Privacy Masking	4 areas

Audio

Built-in MIC	Yes
Built-in Speaker	Yes
Audio Compression	G.711a; G.711Mu; PCM; G.726

Alarm

Alarm Event	No SD card; SD card full; SD card error; network disconnection; IP conflict; illegal access; motion detection; video tampering; voltage detection; SMD (human); security exception
-------------	--

Network

Network Port	RJ-45 (10/100 Base-T)
SDK and API	Yes
Network Protocol	IPv4; IPv6; HTTP; TCP; UDP; ARP; RTP; RTSP; RTCP; RTMP; SMTP; FTP; SFTP; DHCP; DNS; DDNS; QoS; UPnP; NTP; Multicast; ICMP; IGMP; NFS; PPPoE; Bonjour
Interoperability	ONVIF (Profile S; Profile G; Profile T); CGI
User/Host	20 (Total bandwidth: 48 M)
Storage	FTP; SFTP; Micro SD card (support max. 256 GB); NAS
Browser	IE; IE7; Chrome; Firefox
Management Software	SmartPSS Lite; DSS; DMSS
Mobile Client	iOS; Android
Cyber Security	Configuration encryption; trusted execution; Digest; security logs; WSSE; account lockout; syslog; Video encryption; 802.1x; IP/MAC filtering; HTTPS; trusted upgrade; trusted boot; firmware encryption; generation and importing of X.509 certification

Certification

Certifications	CE-LVD: EN62368-1 CE-EMC: Electromagnetic Compatibility Directive 2014/30/EU CE-RED: Radio Equipment Directive 2014/53/EU
----------------	---

Power

Power Supply	12 VDC
Power Consumption	Basic: 2.3 W (12 VDC) Max. (H.265 + max. resolution + main stream + WDR + warm light intensity +IVS+4G): 7 W (12 VDC)

Environment

Operating Temperature	-40 °C to +60 °C (-40 °F to +140 °F)
Operating Humidity	≤95%
Storage Temperature	-30 °C to +60 °C (-22 °F to +140 °F)
Protection	IP67

Structure

Casing Material	Metal + plastic
Product Dimensions	192.3 mm × 88 mm × 87.3 mm (7.56" × 3.46" × 3.43") (L × W × H)
Net Weight	0.58 kg (1.28 lb)
Gross Weight	1.06 kg (2.33 lb)

Ordering Information

Type	Model	Description
2 MP Camera	DH-IPC-HFW1239DTP-4G-IL	2MP Entry Dual Illumination Fixed-focal 4G Bullet Network Camera
Accessories	PFB120WS	Installation bracket component
	PFM320D	12 VDC 1 A Power Adapter
	PFM900-E	Integrated Mount Tester
	TF-P100	MicroSD Memory Card

Accessories

Included:



PFB120WS
Installation bracket
component

Optional:



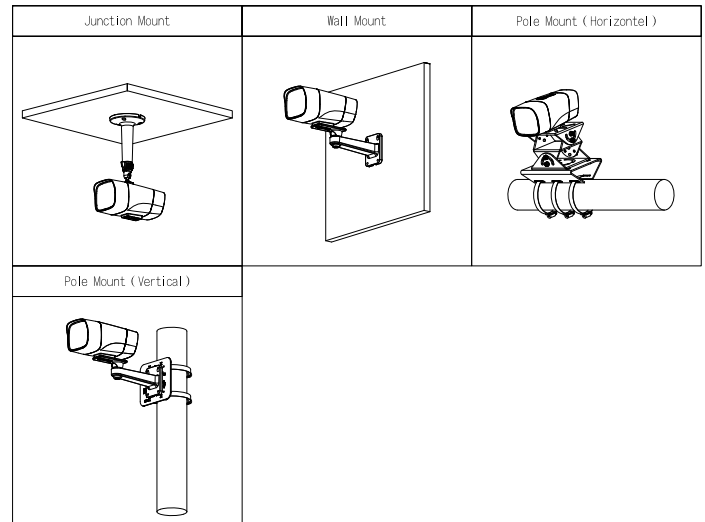
PFM320D
12 VDC 1 A Power
Adapter



PFM900-E
Integrated Mount
Tester



TF-P100
MicroSD
Memory Card



Dimensions (mm[inch])

